



# INSECTUM Installation



# ALVEA Armchair

## "alvearium" (Latin)

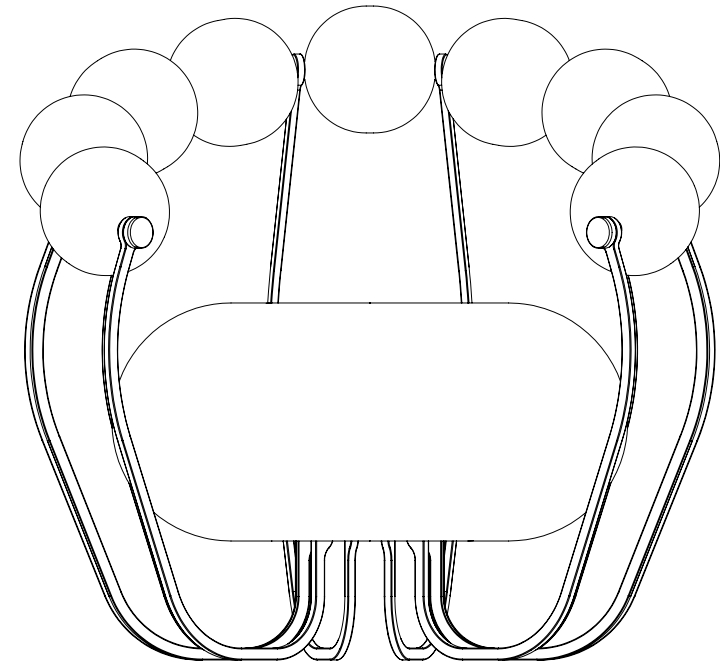
from *alveus* ("hollow, belly, vessel, beehive") + *-arium* (re-substantivation)

The Alvea armchair embraces its guest with its ten arms, which together with the foam cushioned spheres, form the backrest of this majestic furniture piece. The yellow velvet fabric and its throne like appearance are references to the queen bee. The underlying structure is assembled from 10mm strong laser cut steel that has been hand polished and coated in a light champagne color.

**Materials:** Steel, wood, foam, velvet upholstery

**Dimensions:** H 820 x W 860 x D 850 mm

**Weight:** 25kg



# ORBIS Bar

## “orbis” (Latin)

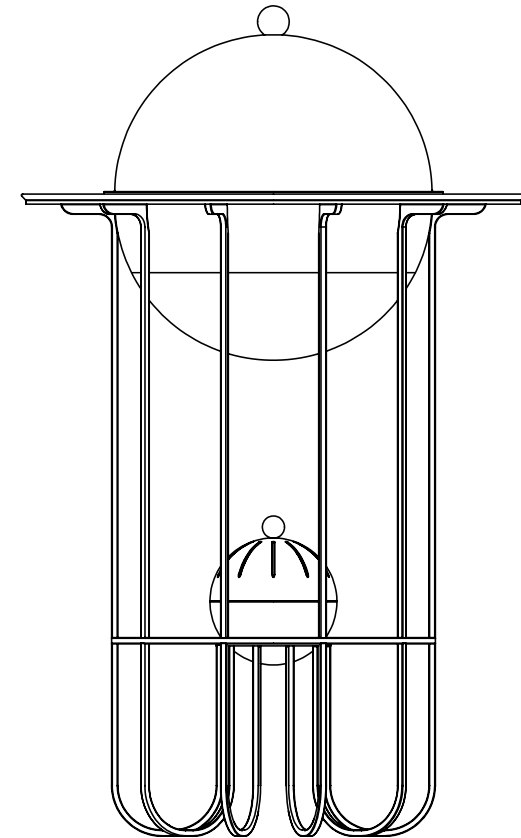
from Proto-Indo-European \*herbis (“circle, orb”)

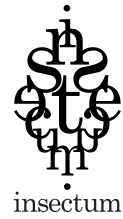
The Orbis home mini-bar is a contemporary reinterpretation of a 16th century old world globe bar. The two acrylic glass halves of the sphere revealing a bustling microcosm inside. The lower half has been filled with clear resin enclosing an array of floating insects within and thus forming a stable surface to place your precious collection of spirits onto. Ten Legs out of laser cut and polished steel hold the hand poured Jesmonite top plate that surrounds the globe. A smaller sphere below contains an aromatic substance and functions as a diffuser, emitting a scent that has been created especially for this exhibition by the nose of Nasomatto's - Alessandro Gualtieri.

**Materials:** Steel, Brass , Jesmonite, Acryl,  
Epoxy, Insects, Brass

**Dimensions:** H 1300 x W 790

**Weight:** 20kg





# FOVEA Lamp

## **"fovea" (Latin)**

*The fovea is an area of the insects compound eye that provides greater visual acuity than the rest of it*

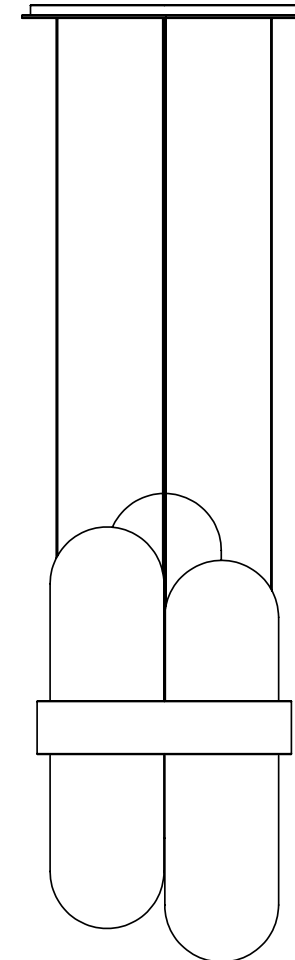
Fovea is a tri-clustered pendant lamp inspired by the intricate design of an insects eye. The three vertically miss-aligned glass tubes are clasped in the centre by a brushed brass ring that houses the LED lights within.

The glass has been handblown by master glassblowers in Czech Republic and emits a beautiful warm light.

**Materials:** Brass, Crystal Glass

**Dimensions:** H 700 x W 380

**Weight:** 9 kg





# CALIDEA Carpet

## "Calidea dregii"

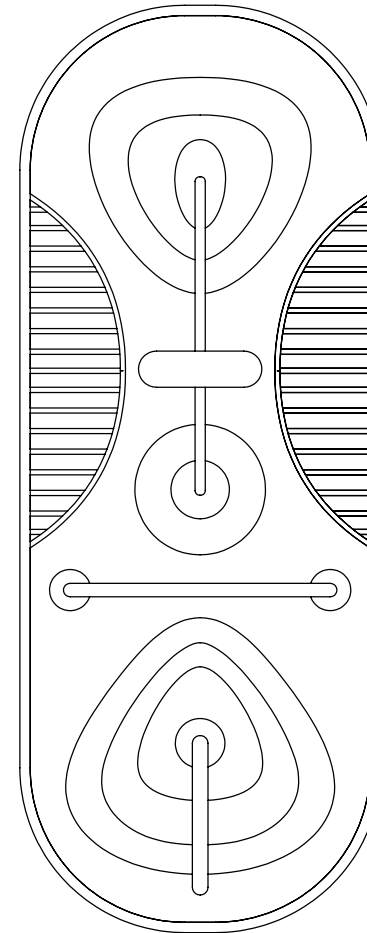
*also known as the rainbow shield bug or the green jewel beetle of India*

Hand tufted in India by Sukhi Rugs, the Calidea Carpet is made from all-natural materials and references the patterns on the wings of the Calidea Dragii bug. When laid upon the floor, the Calidea rug is interpreted as a 3D landscape thanks to fibers cut in various lengths.

**Materials:** 50% hand-dyed New Zealand Wool,  
50% Bamboo Silk, backside 100% Cotton

**Dimensions:** H 1800 x W 700 mm

**Weight:** 5 kg





# ELYTRA Window 01

## "elytra" (Latin)

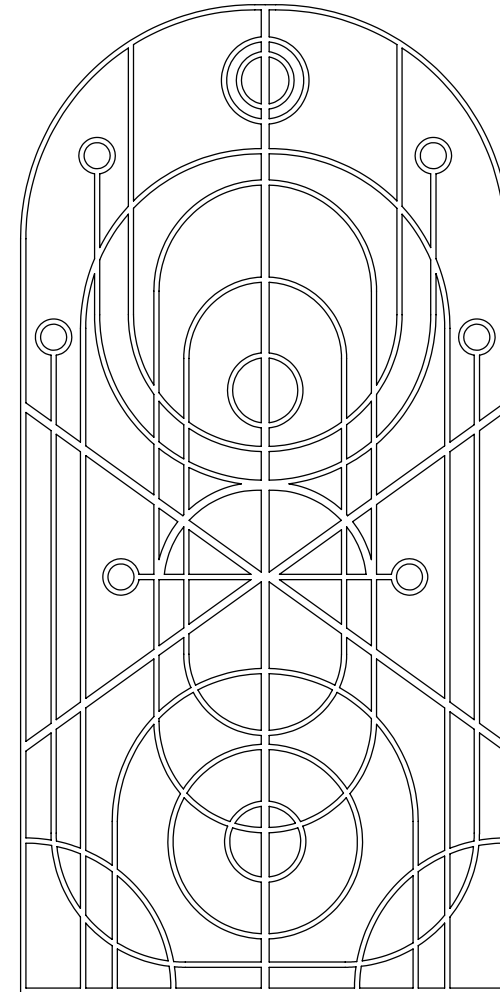
*is a modified, hardened forewing of beetles*

These two stained glass windows were made using 3D printing technology and natural colored resin. Its patterns are inspired by the wings of african bug *Sphaerocoris annulus*, commonly named as Picasso bug. This process is a new take on stained glass, made site-specific for Alcova.

**Materials:** PLA Plastic, Acrylic, Epoxy Resin

**Dimensions:** H 1830 x W 940 mm

**Weight:** 5 kg





# ELYTRA Window 02

## "elytra" (Latin)

*is a modified, hardened forewing of beetles*

These two stained glass windows were made using 3D printing technology and natural colored resin. Its patterns are inspired by the wings of african bug *Sphaerocoris annulus*, commonly named as Picasso bug. This process is a new take on stained glass, made site-specific for Alcova.

**Materials:** PLA Plastic, Acrylic, Epoxy Resin

**Dimensions:** H 1830 x W 940 mm

**Weight:** 5 kg

